

Checkweigher Econus[®]



! Benefits

- Program-controlled belt speed for optimal weighing
- Password protection for secure processes (2 levels + service)
- User-dependent dialog language (user-defined)
- Trend controller with digital outputs for optimizing the filling process
- USB print function for saving product data to a USB stick

The checkweigher Econus[®] from Minebea Intec was developed specially for applications such as completeness checks and the monitoring of filling systems as used in the food industry in particular. It is reliable, user-friendly and easy-to-clean, as well as extremely accurate.

Therefore, it overcomes current challenges for checkweighers regarding achieving exact measurement results with a simultaneous high speed, combined with reliability and easy cleaning.

The Econus[®] sets new benchmarks because of these properties, its weighing performance, and its easy setup and optimization due to the integrated learning mode.

Technology

The conveyor belt consists of aluminum segments and a quick belt release mechanism. In combination with removable transport systems, this mechanism enables easy replacement of the transport belts as well as the entire transport system itself. The transport belts are driven by belt transmission via precise 24 V EC motors.

Quick and thorough cleaning is guaranteed due to its stainless steel design and easy-to-operate belt tensioning mechanism.

The bright LCD color graphic display comes with sophisticated functions: among others, a trend controller, completeness check and program-controlled belt speed with an optimized setting for each product.

All important production data are shown at one glance on the display. Self-explanatory display dialogs, five context-dependent function keys (soft keys) and an alphanumeric keypad all ensure quick and easy operation. A programmable hot key (joker key) is available for direct access to user-defined functions. Automatic zeroing takes place during production intervals.

As an option, product distance can also be constantly monitored in the background. All weighing parameters can be optimized via the learning mode for the best-possible weighing results for all products.

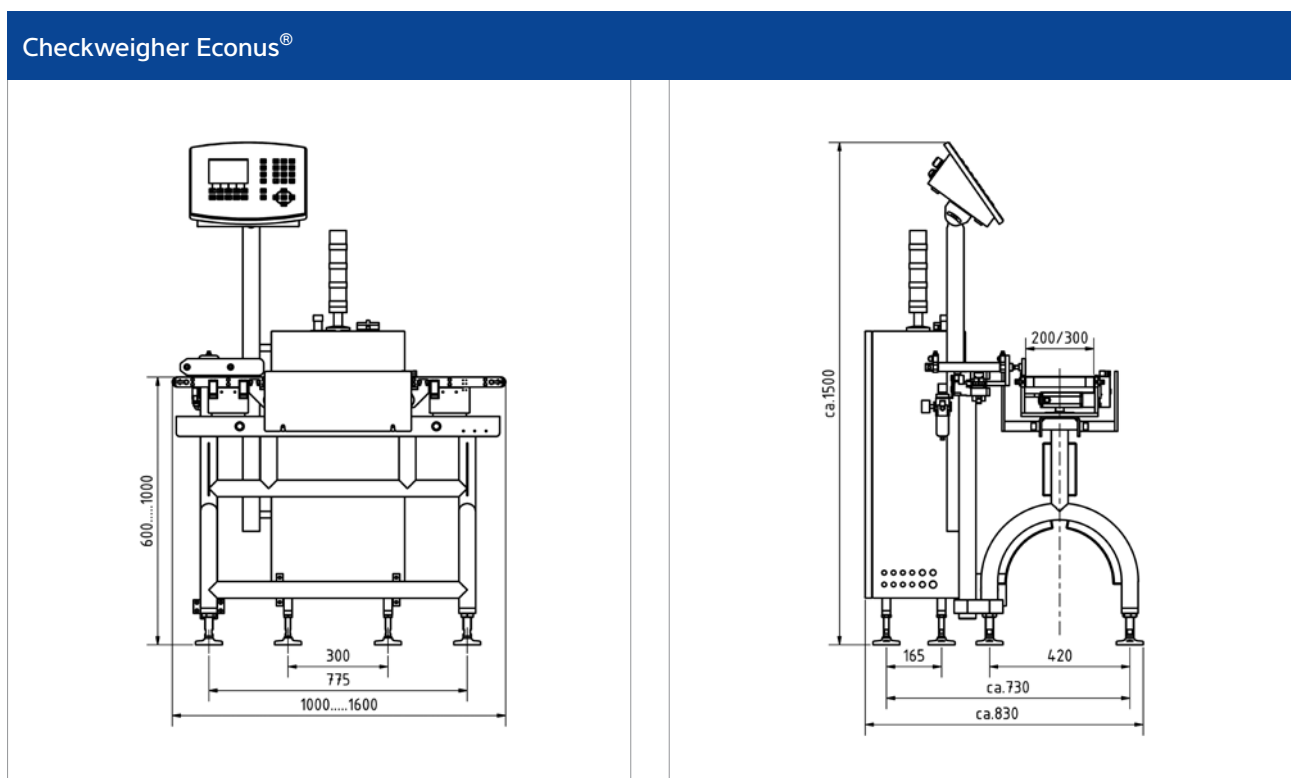
In summary, the Econus® gives your profile an outstanding price/performance ratio. Therefore, it is an ideal module that can be seamlessly integrated into your production line.

Technical specifications

Checkweigher Econus®				
Characteristics	600 g	1,200 g	3,000 g	6,000 g
Weighing capacity	0 g–600 g	0 g–1,200 g	0 g–3,000 g	0 g–6,000 g
Resolution	from 0.1 g	from 0.2 g	from 0.5 g	from 1 g
Standard Deviation (Depends on product, throughput and ambient conditions)	from 0.1 g	from 0.2 g	from 0.5 g	from 1 g
Throughput (Depends on product, permissible imprecision and ambient conditions)	max. 120 pieces/min.	max. 100 pieces/min.	max. 80 pieces/min.	max. 80 pieces/min.
Conveyor sizes (center-to-center distance×belt width)	300 mm×200 mm	300 mm×200 mm 400 mm×200 mm	300 mm×200 mm 400 mm×300 mm 500 mm×300 mm	400 mm×300 mm 500 mm×300 mm
Transport speed	Max. 1.0 m/s (Depends on package length and weighings per time unit), Speed range: 0.2–1.0 m/s			
Transportation equipment	Belt			
Drives	24 V maintenance-free EC geared motors			
Connected voltage	115/230 V _{AC} (+10% / -15%) switchable; 50/60 Hz (L1, N, PE)			
Power Consumption	Approx. 350 VA			
Direction of transportation	Right to left or left to right (please indicate when ordering)			
Transport height	600–1,000 mm, leg adjustment range: ±25 mm			
Floor clearance	100 mm ±25 mm			
Temperature range	0°–+40 °C			
Protection class	IP54 (IP65 optionally)			
Weight	Approx. 120 kg			
Dimensions	See technical diagrams			

The technical data given are intended solely as a product description and should not be conceived as guaranteed properties in the legal sense.

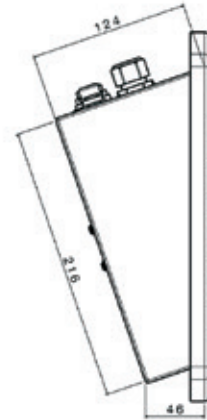
Technical diagrams



Operator terminal checkweigher Econus®



Front View



Side View

All dimensions in mm

The products and solutions presented in this data sheet make major contributions in the following sectors:



Food and beverages



Pharmaceutical



Chemical



Agribusiness



Cosmetics



Building materials



Recycling



Machinery (OEM)

The technical data given serves as a product description only and should not be understood as guaranteed properties in the legal sense.

Specifications subject to change without notice.
Rev. 08/2018

Av. Tecnológico Nte. 148 int 32
El Retablo, C.P. 76154
Condominio Industrial "El Fénix"
442 210 2260
ventas@suministroslps.com
www.suministroslps.com